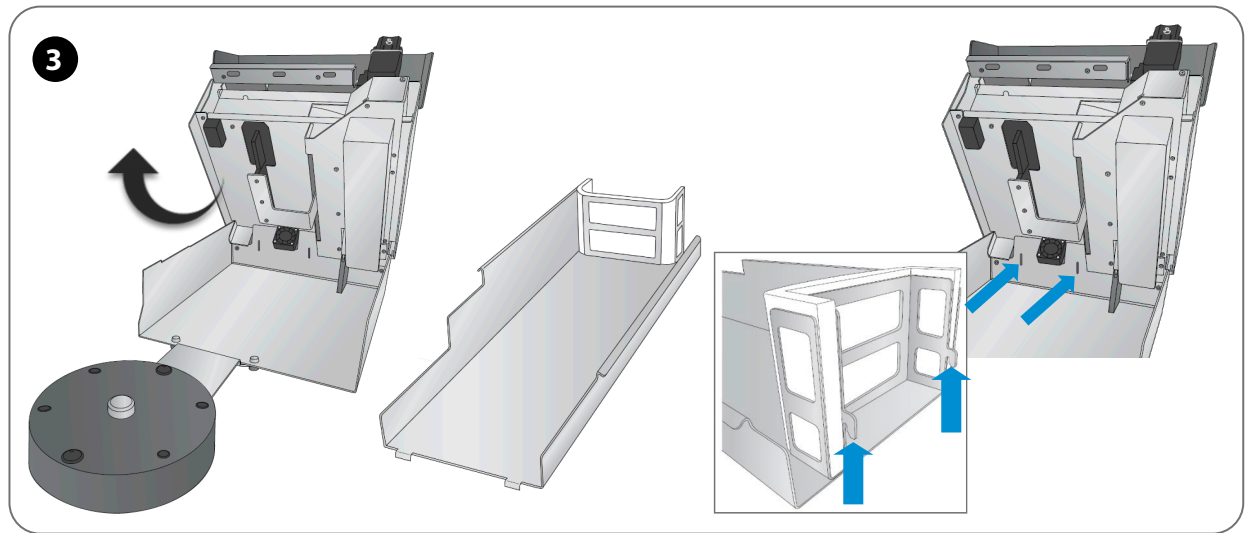
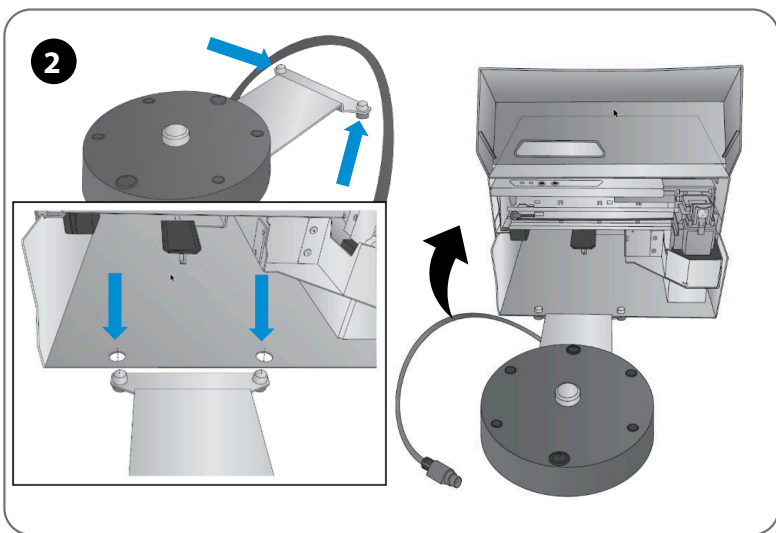
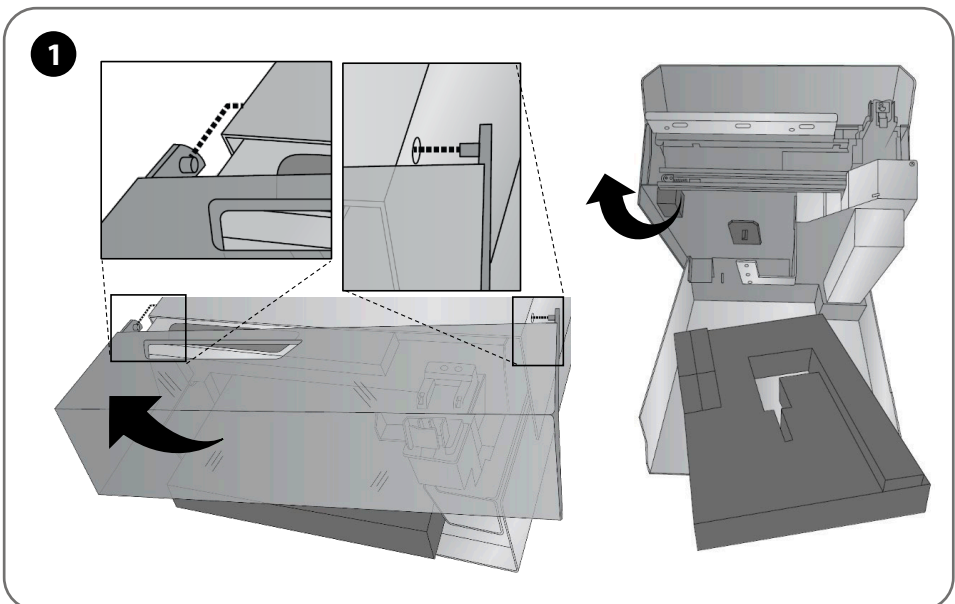
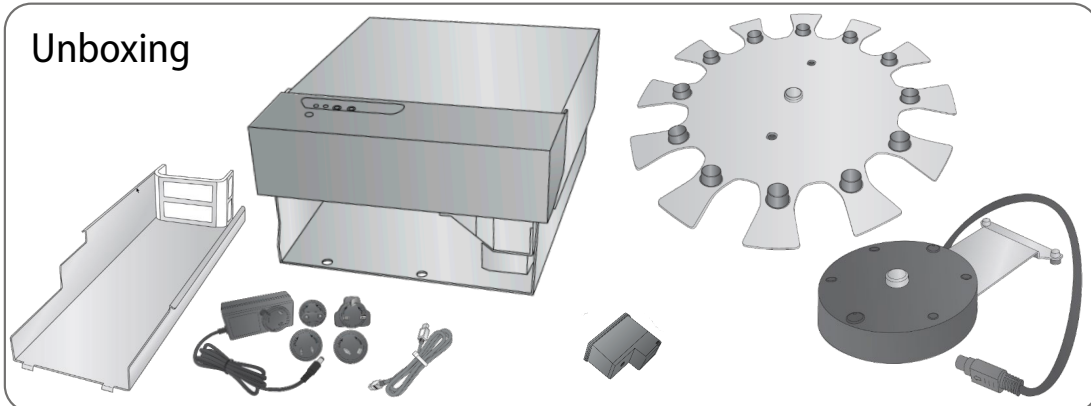
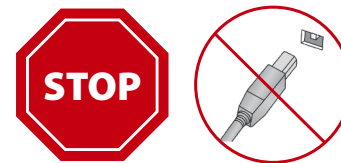
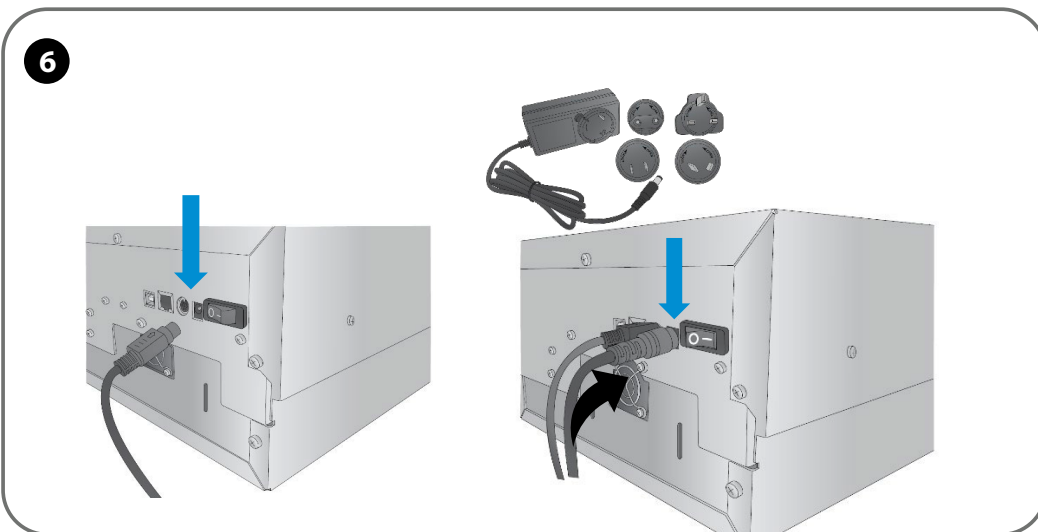
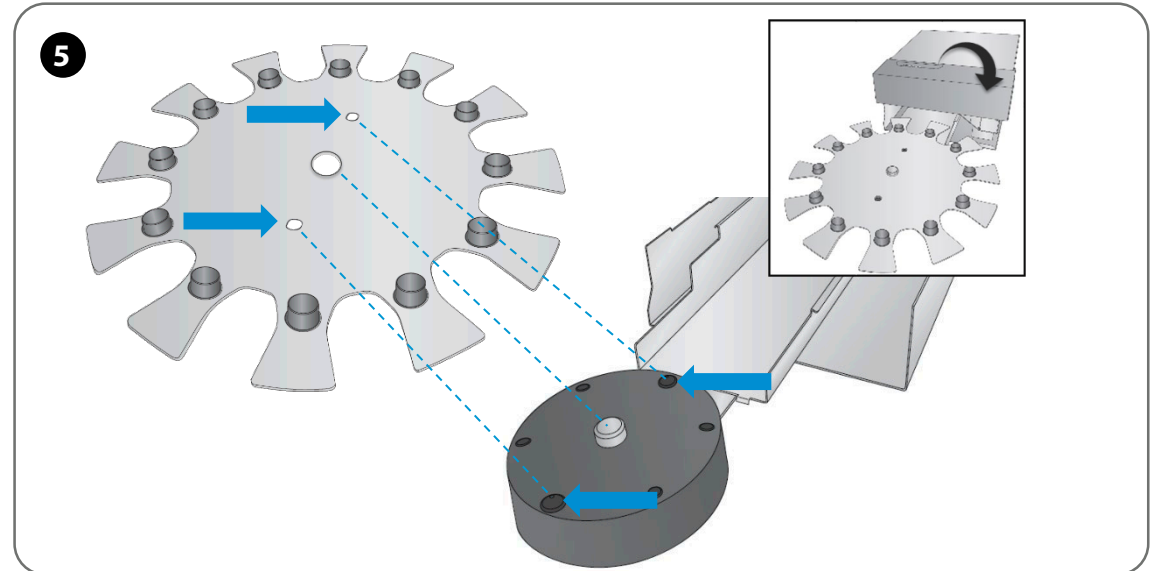
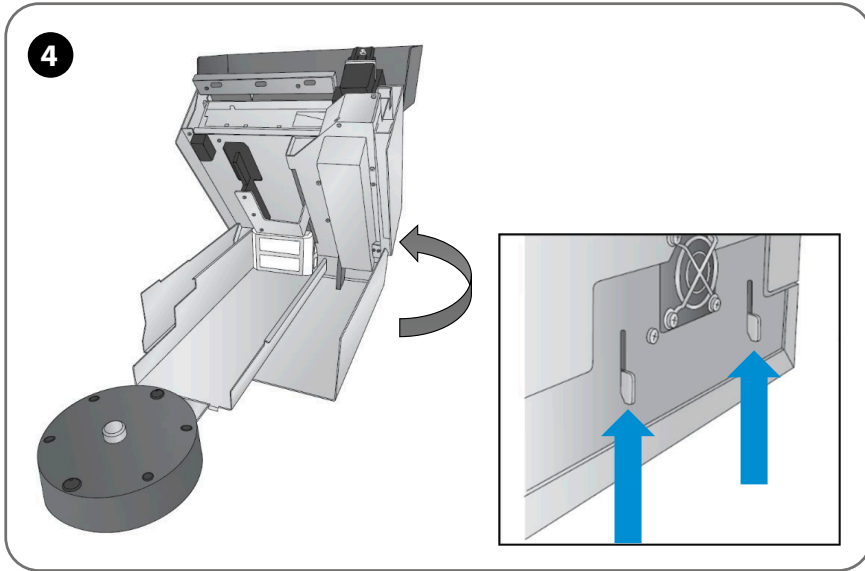


# QuickStart Eddie



Scan the QR Code to watch the setup video on YouTube.  
Visit our YouTube channel: [youtube.com/c/DTMPrint](https://youtube.com/c/DTMPrint)  
Subscribe for helpful tips & support.





**ATTENTION!**  
Run software installer **BEFORE**  
connecting USB with the PC.



Download the latest printer driver at  
[dtm-print.eu/download](http://dtm-print.eu/download)